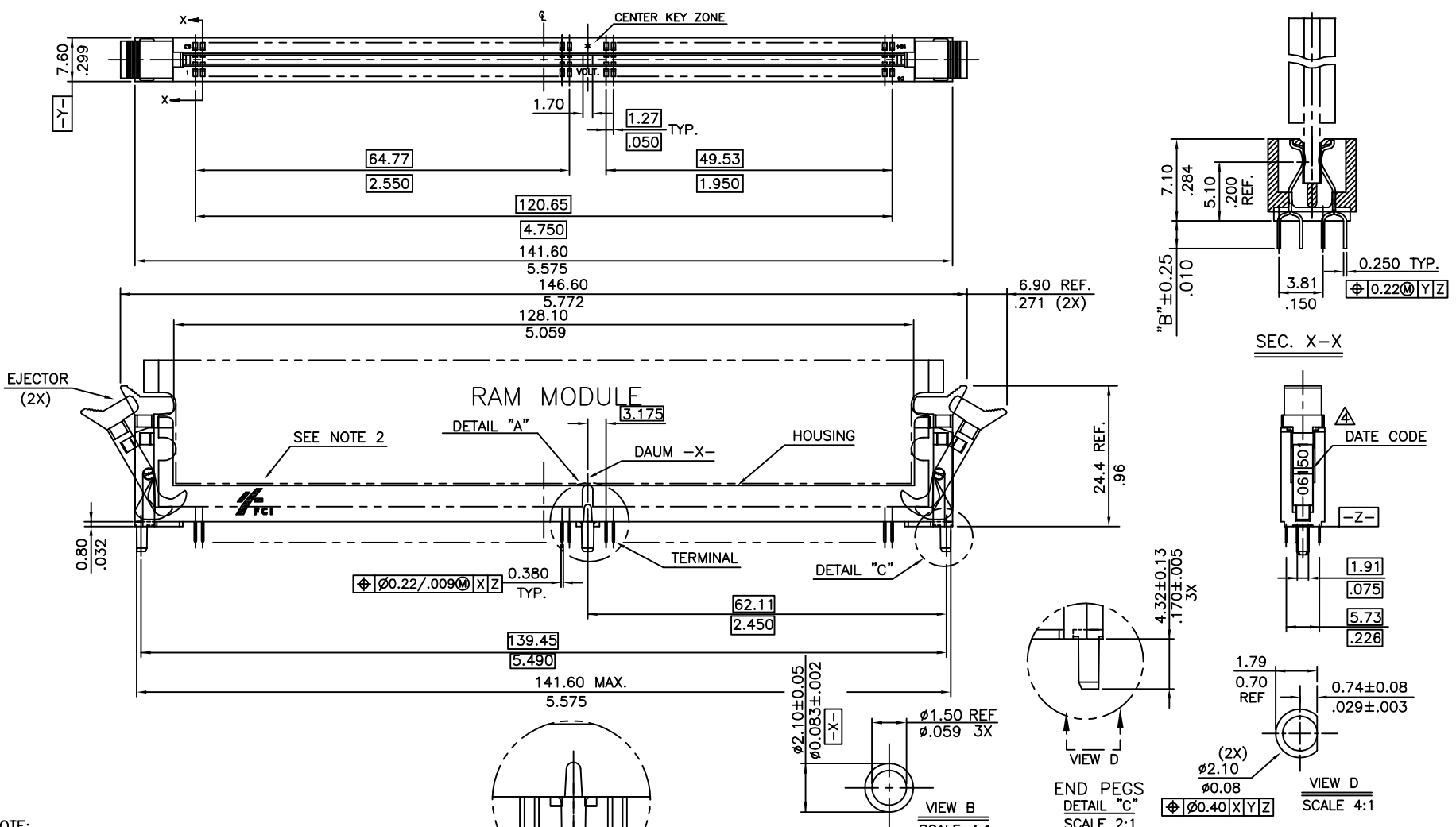


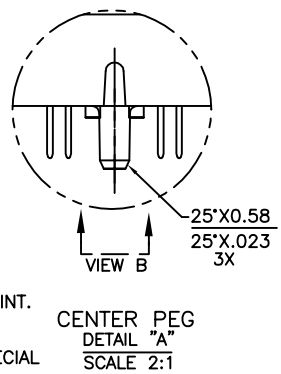
Tous droits strictement reserves. Reproduction ou communication a des tiers interdite sous quelque forme que ce soit sans autorisation ecrite du propriétaire. Propriete de c FCI. Droits de reproduction FCI.

All rights strictly reserved. Reproduction or issue to third parties in any form whatever is not permitted without written authority from the proprietor. Property of FCI. Copyright FCI.



NOTE:

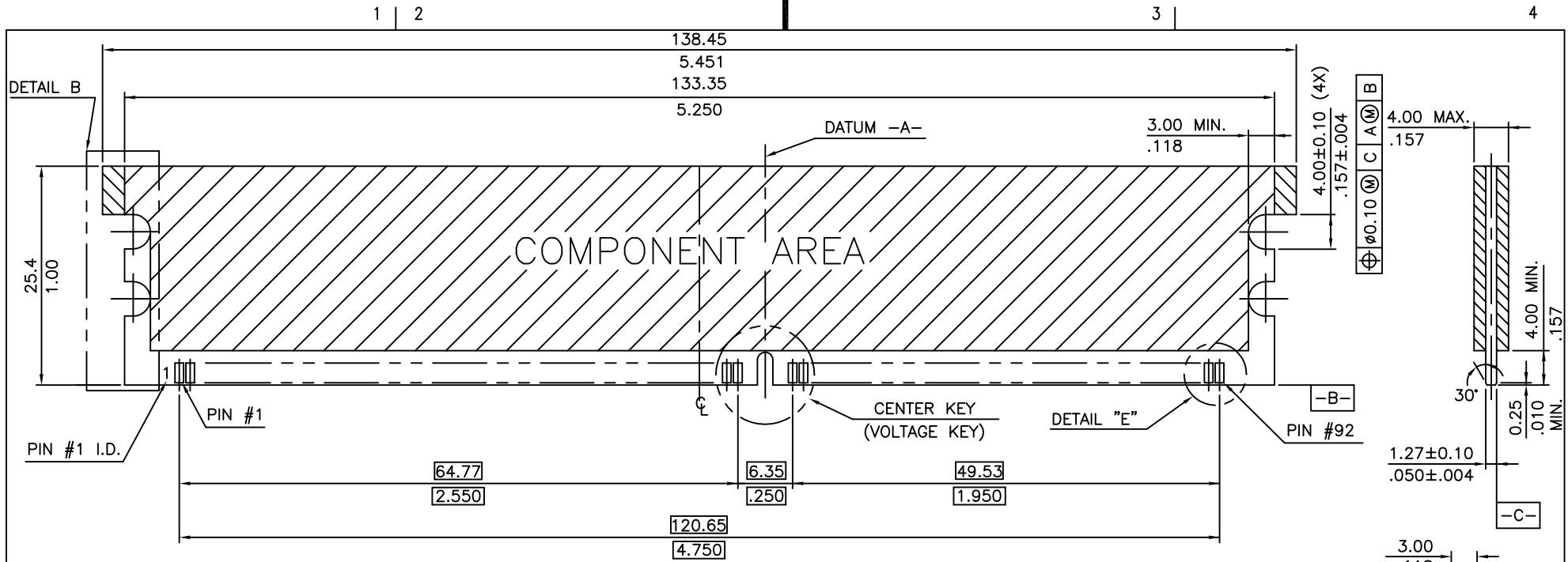
- MATERIAL:
HOUSING: NYLON 66 OR APPROVED EQUIVALENT, GLASS FILLED UL94V-0 RATED, COLOR BLACK.
EJECTOR: NYLON 66 OR APPROVED EQUIVALENT, GLASS FILLED UL94V-0 RATED, COLOR NATURAL.
TERMINAL: COPPER ALLOY.
- FCI LOGO TO BE APPROXIMATELY LOCATED AS SHOWN ON PRINT.
- PRODUCT SPECIFICATION: GS-12-146
- THE DATE CODE IS SHOWN "MM-DD-YY" FOR CUSTOMER SPECIAL REQUEST.
- THIS PRODUCT MEETS EUROPEAN UNION DIRECTIVES AND OTHER COUNTRY REGULATIONS AS DESCRIBED IN GS-22-008.
- THE HOUSING WILL WITH STAND EXPOSURE TO 260° PEAK TEMPERATURE FOR 10 SECONDS IN A WAVE SOLDER APPLICATION.



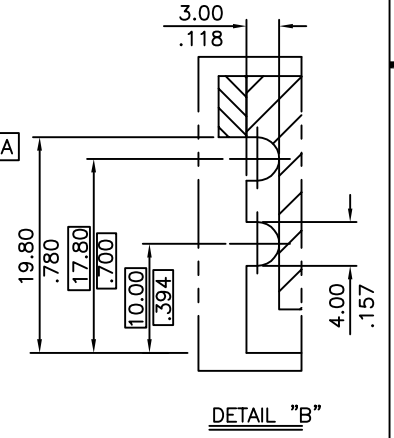
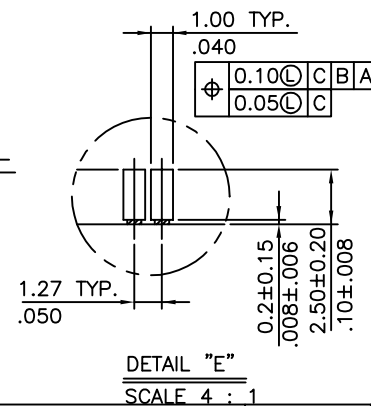
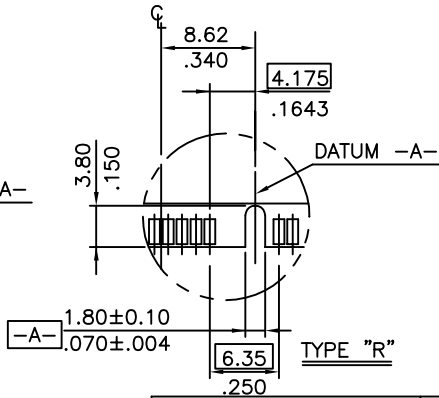
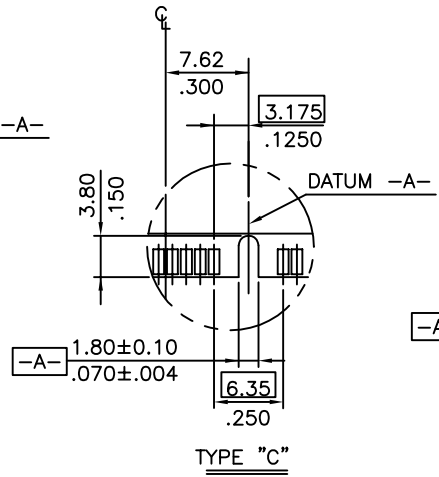
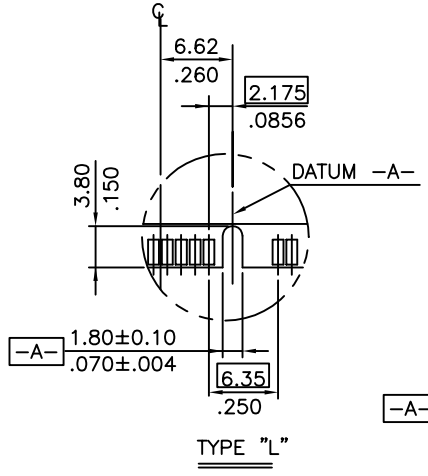
| mat'l. code | | | | tolerances unless otherwise specified | | | CUSTOMER COPY | FCI | | www.fciconnect.com | |
|-------------|----------------|-----|----------|---------------------------------------|------------------------|------------|--|-----|----------|--------------------|--------------|
| ltr | ecn no | dr | date | linear | .X $\pm 0.38 / .015$ | projection | title | | | | |
| A | T20297 | M W | 10/04/02 | | .XX $\pm 0.25 / .010$ | ϕ | DDR 184P .050" 1-ROW, V/T ASS'Y PLASTIC POST | | | | |
| B | T03-0179 | M W | 05/16/03 | angles | .XXX $\pm 0.15 / .005$ | | product family DDR code | | | | |
| C | T03-0435 | M W | 10/01/03 | | 0° $\pm 2'$ | MM | size | | dwg no | | TWN |
| D | pg05-0466 | K W | 11/15/05 | dr | MAGGIE WU 04/12/02 | | A4 | | 10002394 | | sheet 1 of 3 |
| | | | | enr | JEFF.HSIEH 04/12/02 | | scale | | 1:1 | | |
| | | | | chr | JEFF.HSIEH 04/12/02 | | | | | | |
| | | | | appd | JENN TSAO 04/12/02 | | | | | | |
| sheet index | revision sheet | D | A | B | | | | | | | |
| | 1 | 2 | 3 | | | | | | | | |

Tous droits strictement reserves. Reproduction ou communication a des tiers interdite sous quelque forme que ce soit sans autorisation ecrite du propriétaire. Propriete de c FCI. Droits de reproduction FCI.

All rights strictly reserved. Reproduction or issue to third parties in any form whatever is not permitted without written authority from the proprietor. Property of FCI. Copyright FCI.



RECOMMENDED MODULE LAYOUT

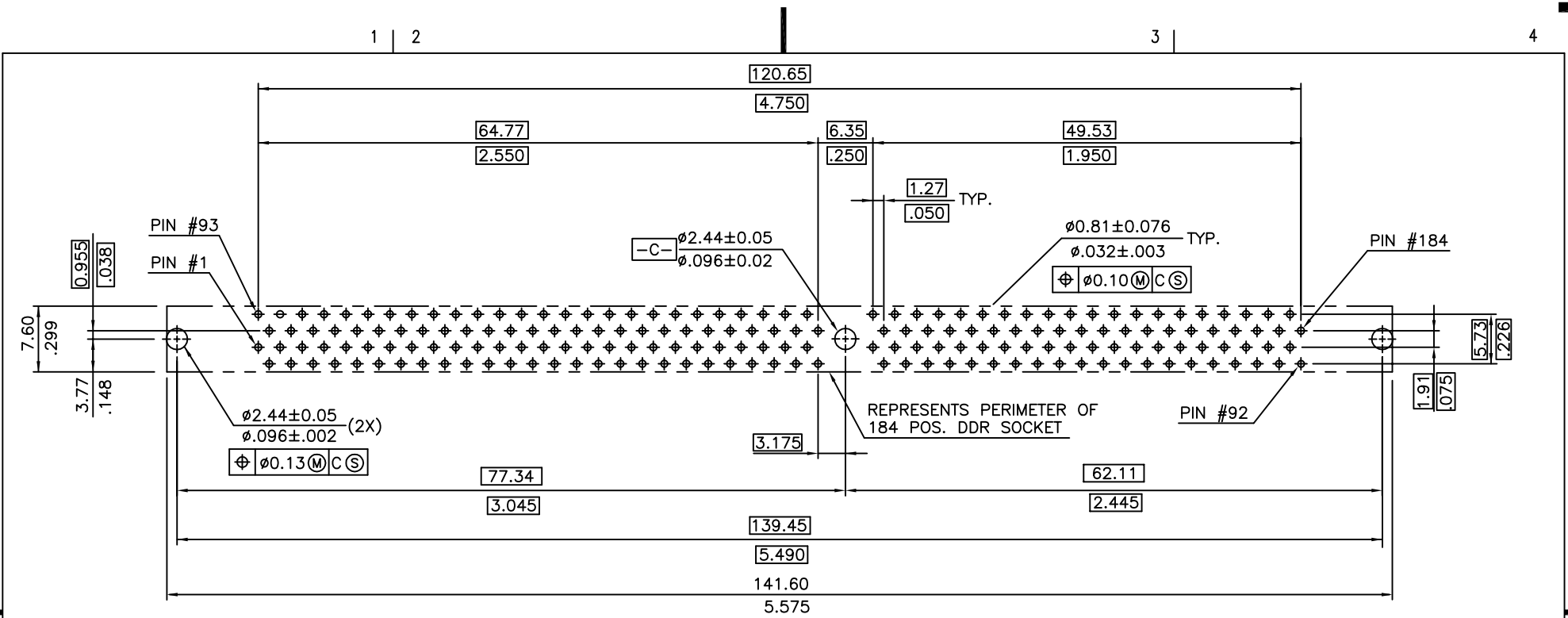


| | |
|------------|-------------|
| TYPE "R" | 3.3 VOLT. |
| TYPE "L" | 2.5 VOLT. |
| TYPE "C" | 1.8 VOLT. |
| CENTER KEY | DESCRIPTION |

| | | | | | | | | | |
|-------------|----------------|---------------------------------------|------------|---------------|------------|------------|--|--|--|
| mat'l. code | | tolerances unless otherwise specified | | CUSTOMER COPY | | FCI | | www.fciconnect.com | |
| ltr | ecn no | dr | date | .X | ±0.38/.015 | projection | | title | |
| A | | | | .XX | ±0.25/.010 | MM | | DDR 184P .050" 1-ROW, V/T ASS'Y PLASTIC POST | |
| | | | | .XXX | ±0.15/.005 | scale | | product family | |
| | | | | | 0° ±2' | 1.5:1 | | DDR | |
| | | dr | MAGGIE WU | 04/12/02 | | A4 | | code | |
| | | enr | JEFF.HSIEH | 04/12/02 | | | | size | |
| | | chr | JEFF.HSIEH | 04/12/02 | | | | dwg no | |
| | | appd | JENN TSAO | 04/12/02 | | | | 10002394 | |
| sheet index | revision sheet | | | | | | | sheet 2 of | |

Tous droits strictement réservés. Reproduction ou communication a des tiers interdite sous quelque forme que ce soit sans autorisation écrite du propriétaire. Propriete de c FCI. Droits de reproduction FCI.

All rights strictly reserved. Reproduction or issue to third parties in any form whatever is not permitted without written authority from the proprietor. Property of FCI. Copyright FCI.



DDR ASSEMBLY PART NUMBER
10002394 - □ □ □ □

RECOMMENDED CIRCUIT BOARD HOLE LAYOUT

STYLE
1 : FOR 3.3 VOLT.
2 : FOR 2.5 VOLT.
3 : FOR 1.8 VOLT.

RESERVED
0

PLATING

| CODE | CONTACT | SOLDERTAIL | UNDERPLATE | CODE | CONTACT | SOLDERTAIL | UNDERPLATE |
|------|---------------------------|--------------------------------|---|------|---------------------------|--------------------------------|---|
| 2 | 15µ"(0.38µm) MIN. GOLD | | | 7LF | 15µ"(0.38µm) MIN. GOLD | | |
| 3 | 30µ"(0.76µm) MIN. GOLD | 100µ"(2.54µm) MIN. TIN/LEAD | 50µ" (1.27µm) MIN. NICKEL OVERALL | 8LF | 30µ"(0.76µm) MIN. GOLD | 100µ"(2.54µm) MIN. 100% TIN | 50µ" (1.27µm) MIN. NICKEL OVERALL |
| 4 | 1µ"MIN.GOLD FLASH | | | 9LF | 1µ"MIN.GOLD FLASH | | |

TAIL LENGTH

| CODE | DIM. "B" | TOLERANCE |
|------|--------------|---------------|
| 1 | 2.29 .090 | ±0.25 ±.01 |
| 2 | 2.79 .110 | ±0.25 ±.01 |
| 3 | 2.67 .105 | ±0.25 ±.01 |
| 4 | 3.05 .120 | ±0.25 ±.01 |

COLOR OF HOUSING AND EJECTOR
0 : BLACK HOUSING + IVORY EJECTOR

| | | | | | | | | | | | |
|-------------|----------------|----|------|---------------------------------------|--------------------|------------|--|---------------|---------------|---------------------------|--|
| mat'l. code | | | | tolerances unless otherwise specified | | | | CUSTOMER COPY | | FCI www.fciconnect.com | |
| ltr | ecn no | dr | date | linear | .X ±0.38/.015 | projection | title DDR 184P .050" 1-ROW, V/T ASS'Y PLASTIC POST | | | | |
| B | | | | angles | .XX ±0.25/.010 | MM | product family DDR | | code TWN | | |
| | | | | dr | .XXX ±0.15/.005 | scale | size A4 | | sheet 3 of | | |
| | | | | engr | 0° ±2' | 1.5:1 | 10002394 | | | | |
| | | | | chr | 04/12/02 | | cage code | | | | |
| | | | | appd | JENN TSAO 04/12/02 | | 526 | | | | |
| sheet index | revision sheet | | | | | | | | | | |